

Ambient Temperature Limits: -40°F to 200°F (-40°C to 93°C)

Process Temperature Limits: -40°F to 200°F (-40°C to 93°C)

Case: 304 S/S

Bezel: 304 S/S

Lens: Polycarbonate

Dial: Aluminum

Tube: Lead Free Phosphor Bronze

Movement: Brass

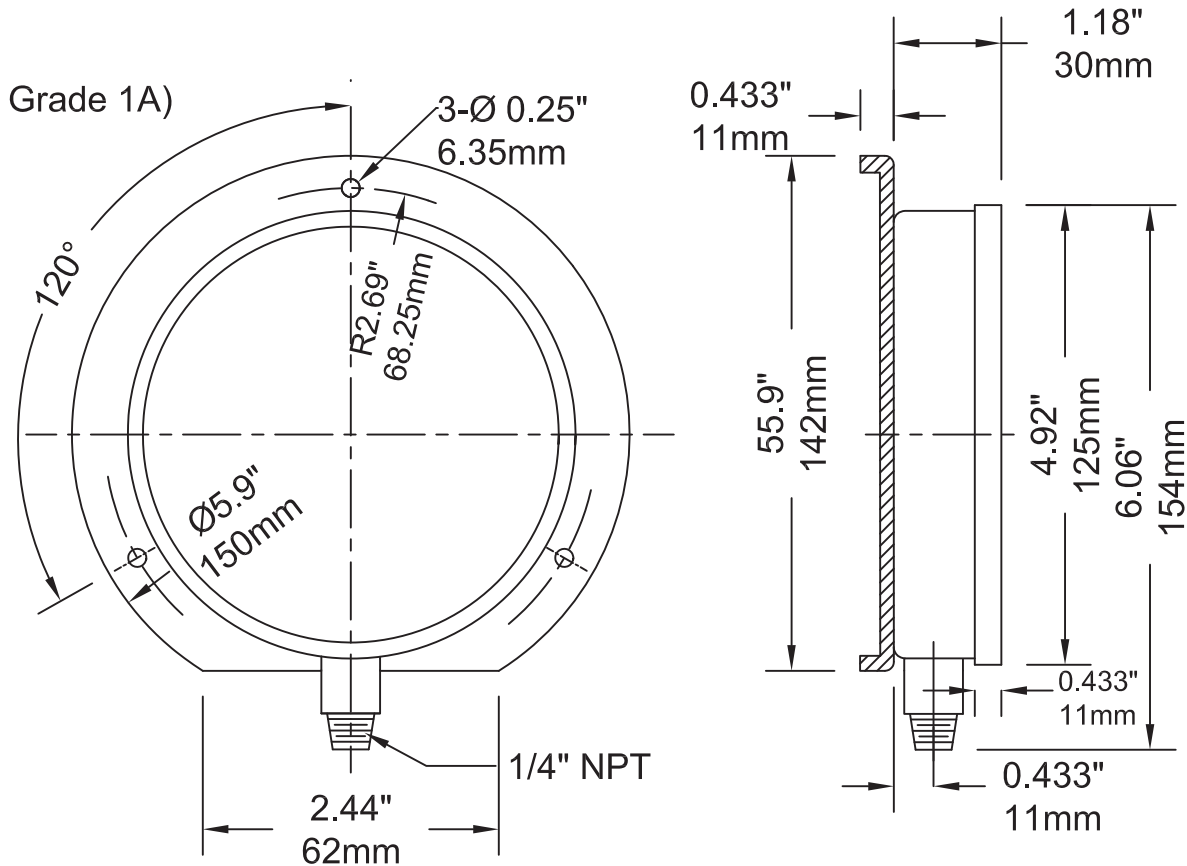
Socket: Lead Free Brass

Welding: Silver Alloy

Accuracy: ± 1% (ANSI / ASME Grade 1A)

Enclosure: IP52

Recalibrator screw is standard.



DRAWN BY: ROBIN LUGTU

ENG. APPROVAL: DR

ALL DIMENSIONS IN INCHES/MM

TOLERANCES
(unless otherwise stated)

Fractional: $\frac{1}{64}$ " 0.4mm

Decimal: 0.06" 1.5mm

REVISION No. & DATE: #1, Dec. 10, 2014

TITLE:

4.5" QUALITY CONTRACTOR GAUGE, BOTTOM
CONNECTION, BACK FLANGE

DRAWING NO: PCT-LF-45-T-B-A